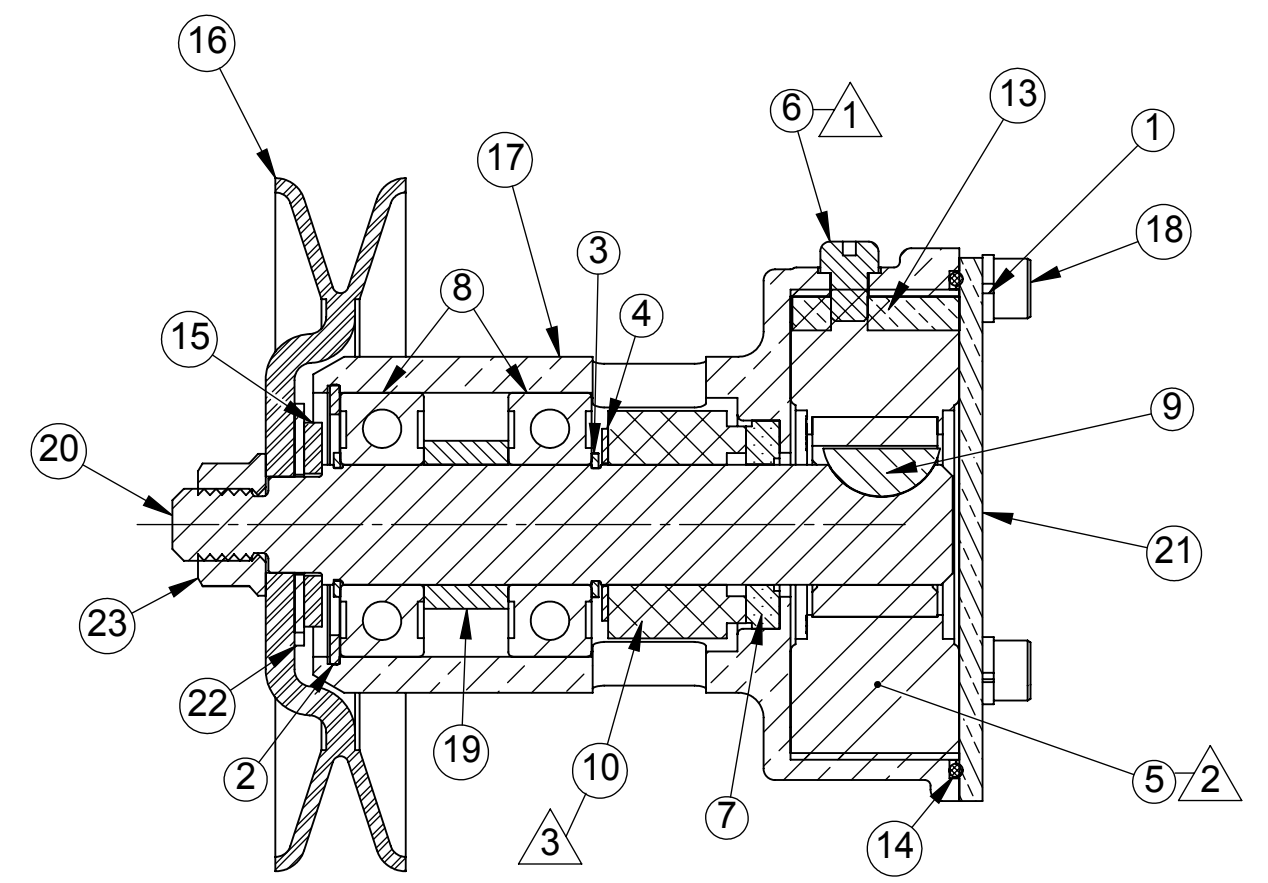
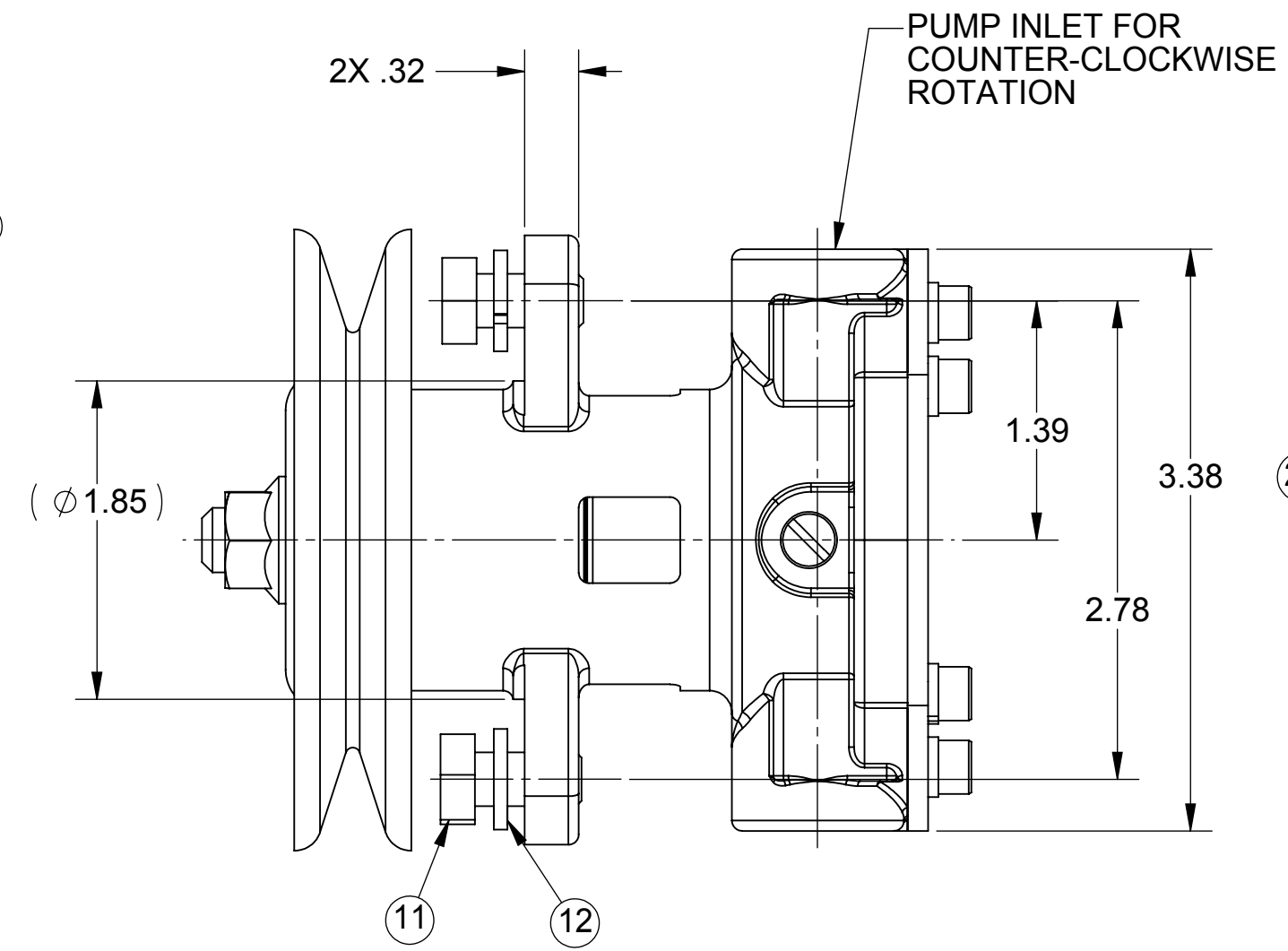
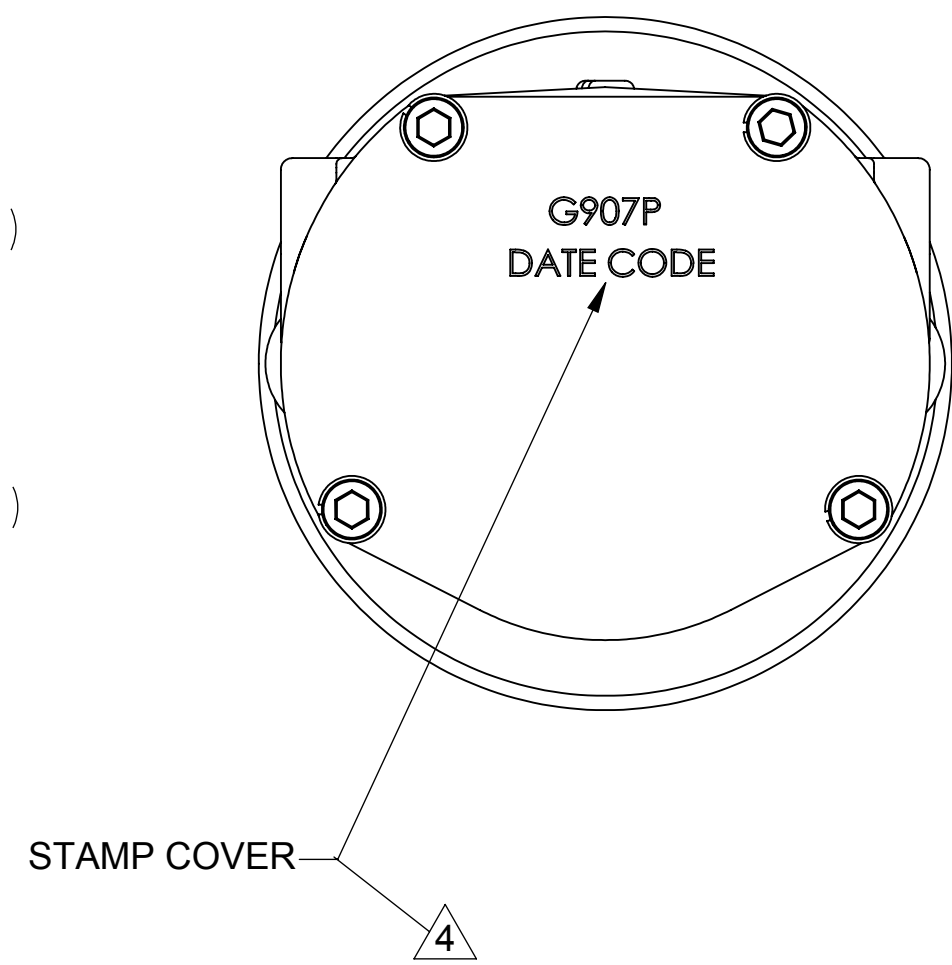
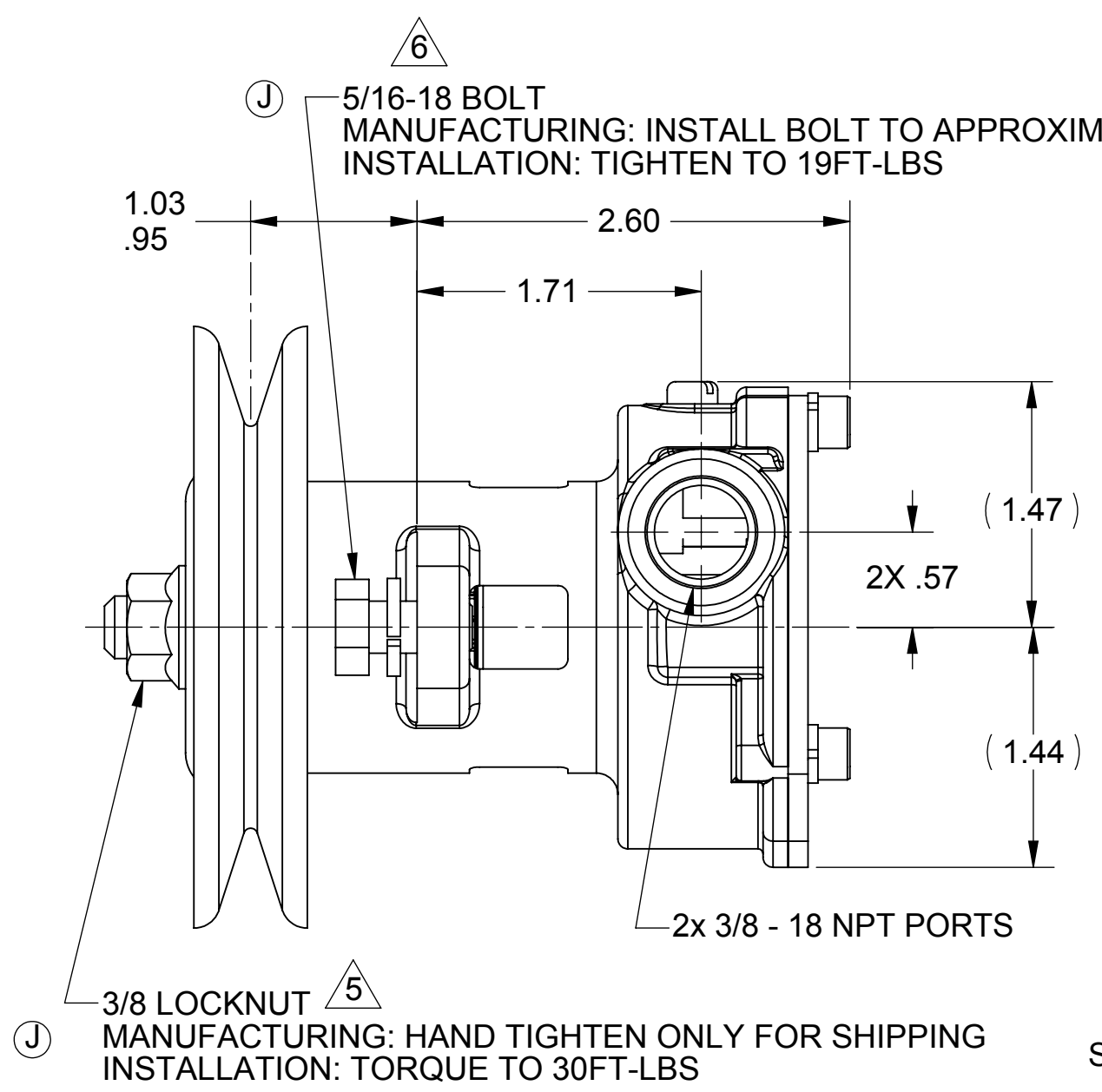
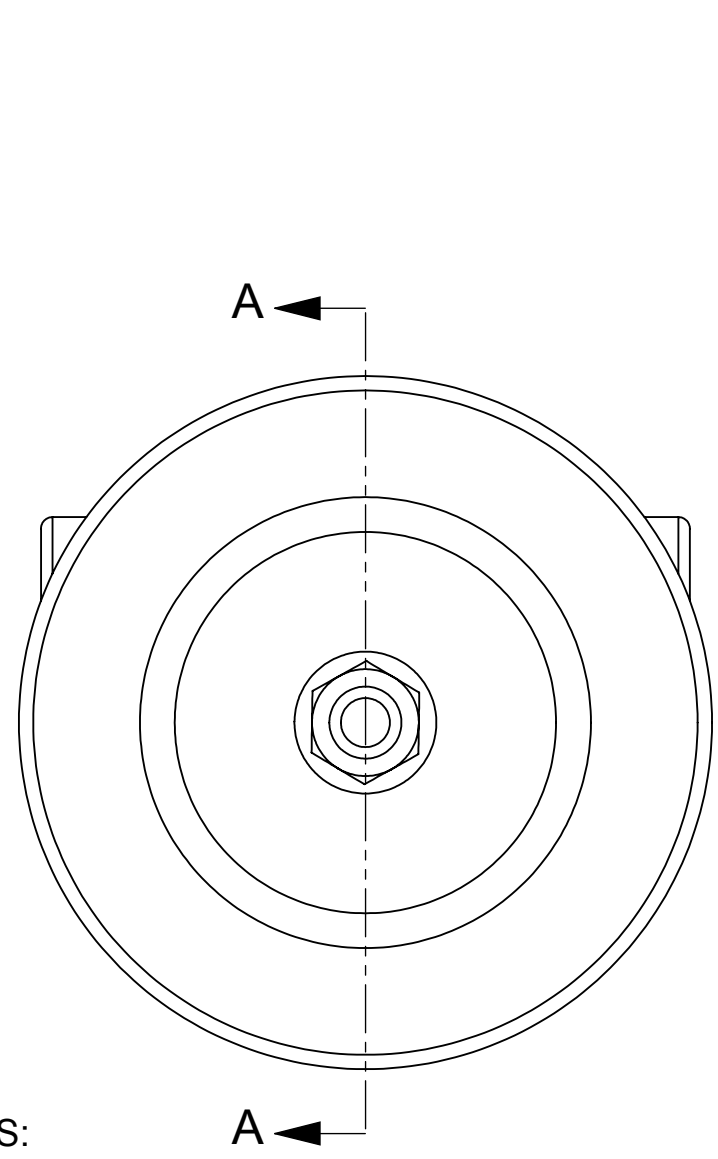


| ITEM NO. | PART NUMBER | DESCRIPTION | G907P /QTY. |
|----------|-------------|----------------------|-------------|
| 1 | 00343 | LOCK WASHER | 4 |
| 2 | 04259 | INT. RETAINING RING | 1 |
| 3 | 04258 | EXT. RETAINING RING | 2 |
| 4 | 04264 | FLAT WASHER | 1 |
| 5 | 09000 | RUBBER IMPELLER | 1 |
| 6 | 10195 | CAM SCREW 10-32NFT | 1 |
| 7 | 10926 | SEAL SEAT | 1 |
| 8 | 12211 | BALL BEARING | 2 |
| 9 | 18576 | KEY, WOODRUFF | 1 |
| 10 | 18035 | MECHANICAL SEAL | 1 |
| 11 | 18573 | CAP SCREW | 2 |
| 12 | 18574 | LOCK WASHER | 2 |
| 13 | 18663 | CAM | 1 |
| 14 | 19964 | O-RING | 1 |
| 15 | 21857 | FLAT WASHER | 1 |
| 16 | 21859 | PULLEY | 1 |
| 17 | 21862 | HOUSING | 1 |
| 18 | 21916 | SCREW, SOCKET HD CAP | 4 |
| 19 | 21974 | SPACER | 1 |
| 20 | 24124 | SHAFT | 1 |
| 21 | 24125 | COVER PLATE | 1 |
| 22 | 24126 | LOCK WASHER | 1 |
| 23 | 24127 | SERRATED FLANGE NUT | 1 |

(K)
(E) (G)
(I)
(E)
(H)
(L)
(F) (H) (H)



SECTION A-A



ASSEMBLY NOTES:

1. APPLY PERMATEx FORM-A GASKET NO. 1 (HARD SETTING) SEALANT, OR EQUIV. TO THREADS AND BASE OF HEAD TO CAM SCREW PRIOR TO INSTALLATION.
2. USE COOLANT TO AID IN INSTALLATION OF RUBBER IMPELLER.
3. USE PAC-EASE, OR EQUIV, WHEN INSTALLING MECHANICAL SEAL.
4. STAMP "G907P" AND DATE CODE ON COVER PLATE.
5. MANUFACTURING: HAND TIGHTEN LOCK NUT ONLY. INSTALLATION: TORQUE TO 30FT-LBS
6. MANUFACTURING: INSTALL BOLT TO APPROXIMATELY 4 FULL TURNS. INSTALLATION: TORQUE TO 30FT-LBS
6. STATIC TEST PUMP TO 20 PSI.

| REV. | ECN | REVISION DESCRIPTION | CHKD | DATE |
|-----------|------|---|------|-----------|
| L | 7003 | UPDATED BOM - CHANGED QTY OF 21857 | JJH | 8/4/2008 |
| K | 6656 | WAS G907P-02 | TW | 1-30-2008 |
| J | 6174 | INSTALLATION TORQUE ADDED | PB | 3-9-2007 |
| I | 5817 | KEY 18576 WAS 13777 | DV | 8-7-2006 |
| H | 5632 | UPDATED BOM & DRAWING | RJE | 4-27-06 |
| G | 4907 | ADDED BALL BEARING 12211, REMOVED 23448 | RJE | 08-04-05 |
| F | 3754 | COVER 24125 WAS 19965 | DV | 10-28-03 |
| E | 1995 | UPDATED BOM & DRAWING | DV | 9-27-2002 |
| REVISIONS | | | | |

| | | | |
|--|--|---------------------|--|
| Pentair Water 375 Fifth Avenue NW New Brighton, MN 55112 (651) 766-6300 | DRAWING BASED ON ASME Y14.5M-1994 | REPLACES PART NO.: | REV. |
| | THIRD ANGLE PROJECTION DO NOT SCALE PRINT | SCALE C | ALL DIMS. IN INCHES, DIMS. IN [] ARE IN MM UNLESS OTHERWISE SPECIFIED |
| SURFACE TREATMENT N/A | HEAT TREATMENT N/A | MATERIAL SEE BOM | PART DESCRIPTION IMPELLER PUMP |
| DWG BY: | DATE: | DWG BY: | DATE: |
| CHECKED BY: | DATE: | APPROVED BY: | DATE: |
| THIS DRAWING IS THE PROPERTY OF HYPRO, AND WITHOUT WRITTEN AUTHORIZATION, MUST NOT BE COPIED OR COMMUNICATED | | | |
| PART NUMBER G907P | | | REV. L |