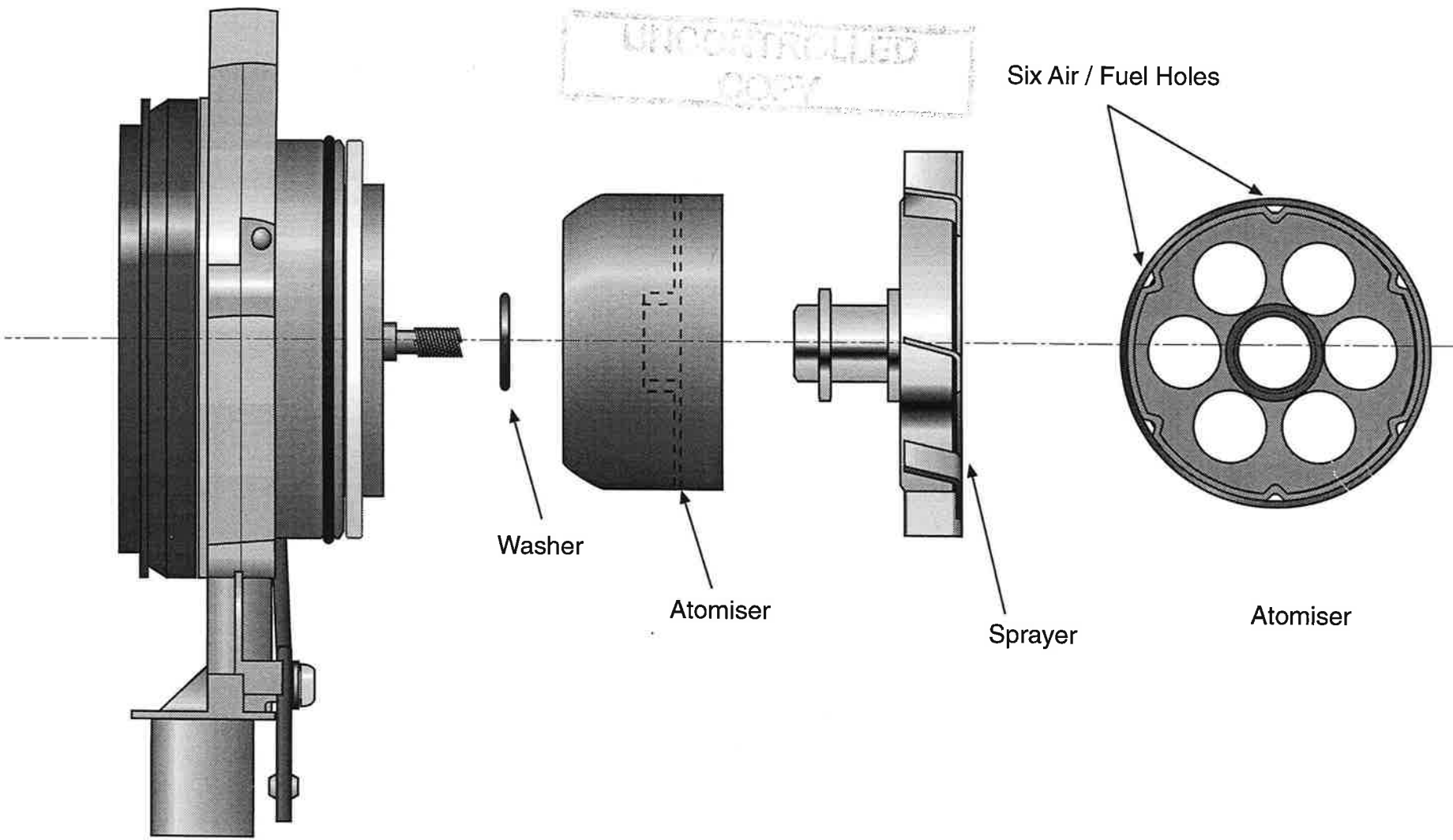


UNCONTROLLED COPY



SK. No.

Part N°. 251482 99 1500

Note: Rolled Edge of Atomiser to inside of blower assembly

No.	DESCRIPTION	CHK'D	APP'D	DATE



**Eberspächer (UK) Limited**  
 Headlands Business Park,  
 Salisbury Road,  
 Ringwood, Hants, BH24 3PB.  
 Tel: (01425) 480151  
 Fax: (01425) 480152

TITLE  
**D3 251640/41 + 251738/39**  
**Combustion Airblower /**  
**Atomiser/ Sprayer Assembly**

DRAWN	ORIGINATOR	CHECKED	APPROVED	DATE	SCALE
BH	PC		PC	19.8.97	NTS

**SKETCH No. 1410**

ALTERATIONS

FORM NO: 4/3/7/2

UNCONTROLLED COPY