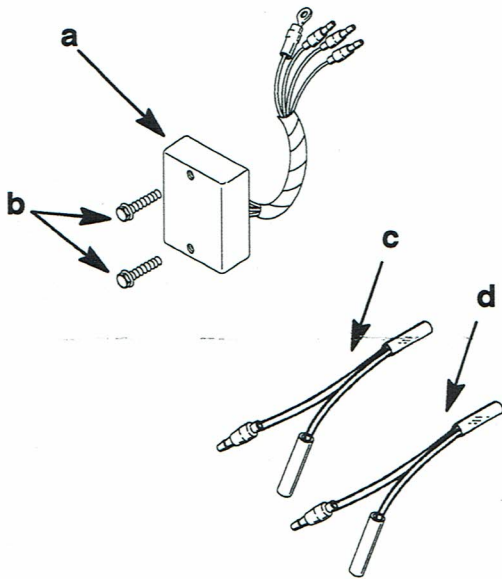


821889A53
REV LIMITER KIT
FORCE 40/50 HP

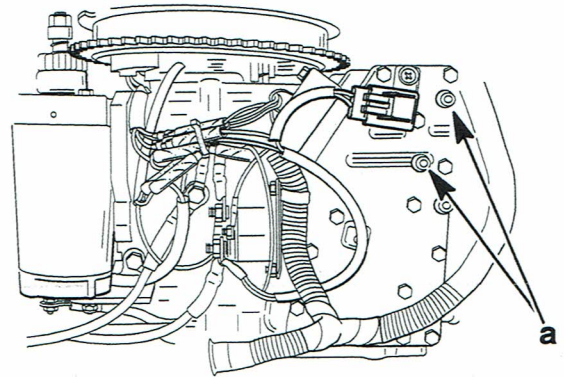
Contents of Kit



Ref.	Description	Qty.
a	Rev Limiter (821889A51)	1
b	Screw (M6 X 25) (10-821291-25)	2
c	Black/Yellow Adaptor Harness (84-11149A18)	1
d	Brown Adaptor Harness (84-11149A17)	1

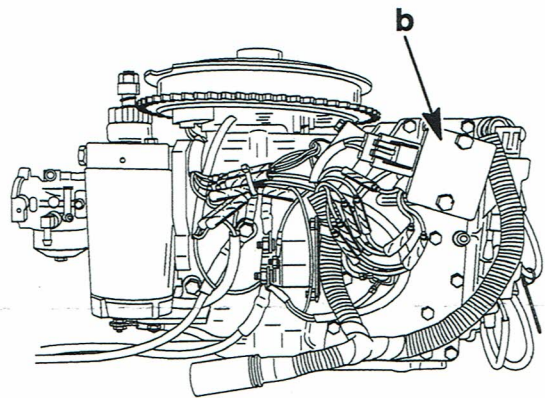
Installation

- Using a bottom tap (M6x1.0), tap exhaust plate bosses in the location shown.



a - Exhaust Plate Bosses

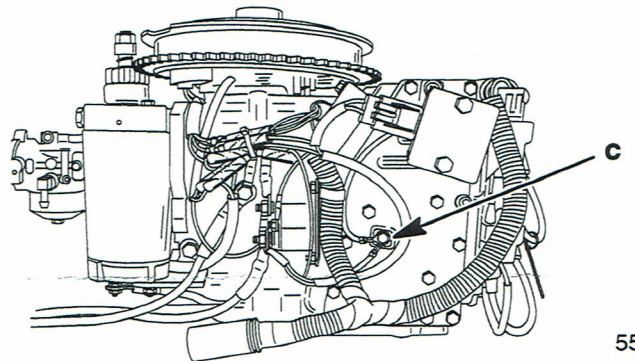
- Mount rev limiter on exhaust plate as shown.



55435

b - Rev Limiter

- Install rev limiter ground (BLACK) on exhaust plate ground boss.



55434

c - Exhaust Plate Ground Boss

- Connect BLACK/YELLOW adaptor harness between engine harness BLACK/YELLOW.

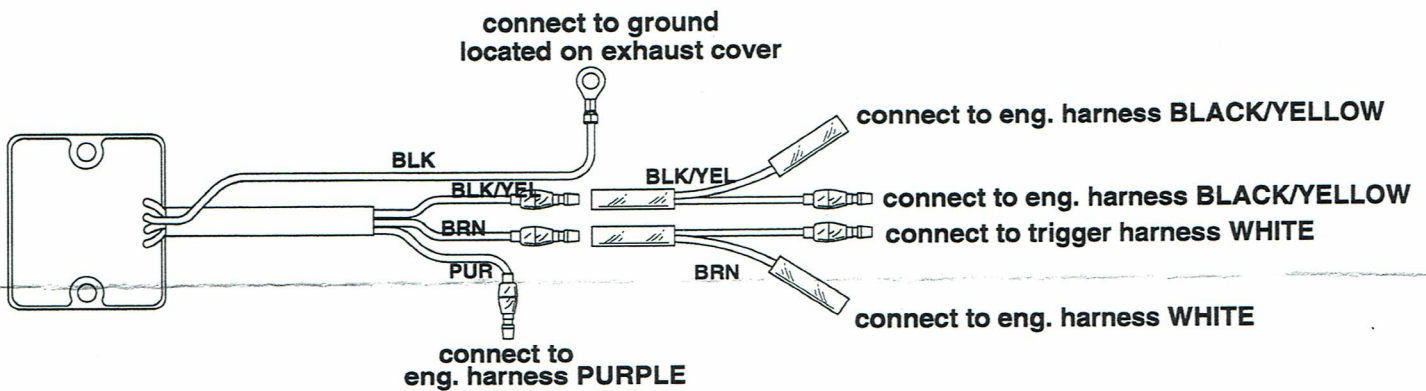
CDM IGNITION

5. Connect BROWN adaptor harness between trigger WHITE lead and engine harness WHITE lead.
6. Remove plug from engine harness PURPLE lead and connect to rev limiter PURPLE lead.

THUNDERBOLT (SWITCHBOX) IGNITION

7. Connect BROWN adaptor harness between trigger WHITE and switchbox WHITE.
8. Remove plug from engine harness PURPLE lead and connect to rev limiter PURPLE lead.

CDM Ignition



56254

Thunderbolt (Switchbox) Ignition

