

500FG Turbine Series

Fuel Filter/Water Separator

Instruction Part Number 15332 Rev G



The Racor 500FG Turbine Series fuel filter/water separator protects the precision components of your engine from dirt, rust, algae, asphaltines, varnishes and especially water, which is prevalent in low distillate fuels. Contaminants are removed from fuel using the legendary three stage process described below.



Contact Information

Parker Hannifin Corporation
Racor Division
P.O. Box 3208
3400 Finch Road
Modesto, CA 95353

phone 800 344 3286
209 521 7860
fax 209 529 3278
racor@parker.com

parker.com/racor

How It Works

Stage 1 - Separation

Using the fuel flow, the stationary turbine separates large solids and free water through enhanced centrifugal force.

Stage 2 - Coalescing

Smaller water droplets and solids coalesce on the conical baffle and fall to the collection bowl.

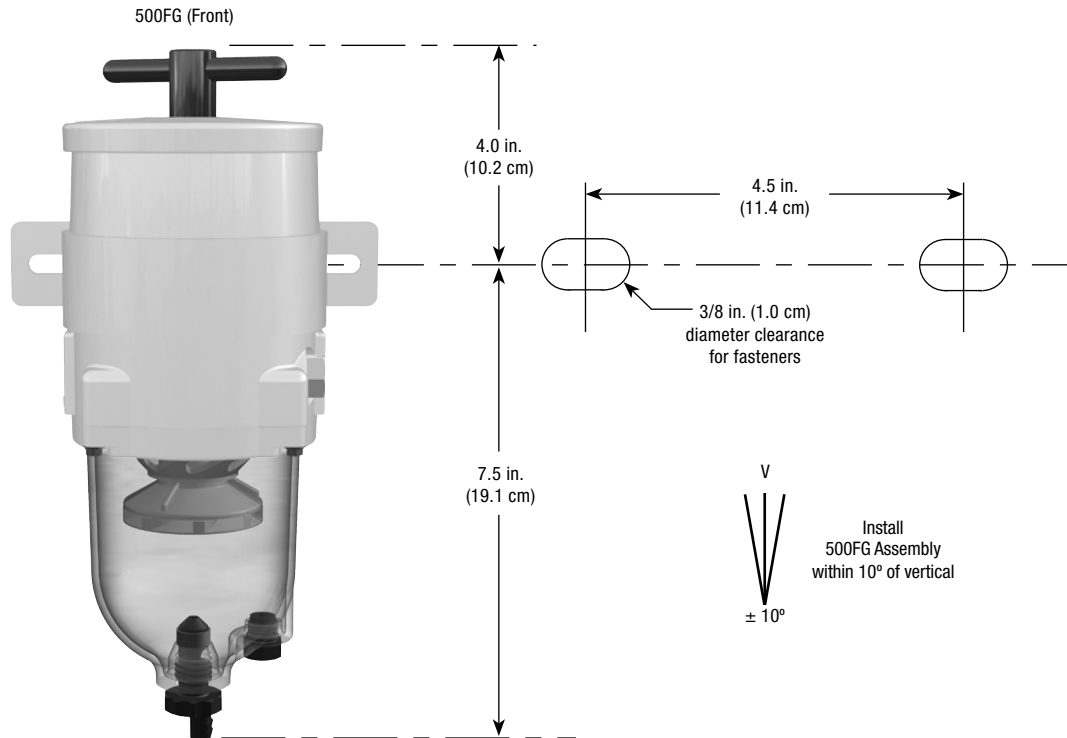
Stage 3 - Filtration

Engines will benefit from near 100% water separation and fuel filtration with Racor's proprietary Aquabloc® water repelling media. The replaceable filters are available in 2, 10, and 30 micron ratings.

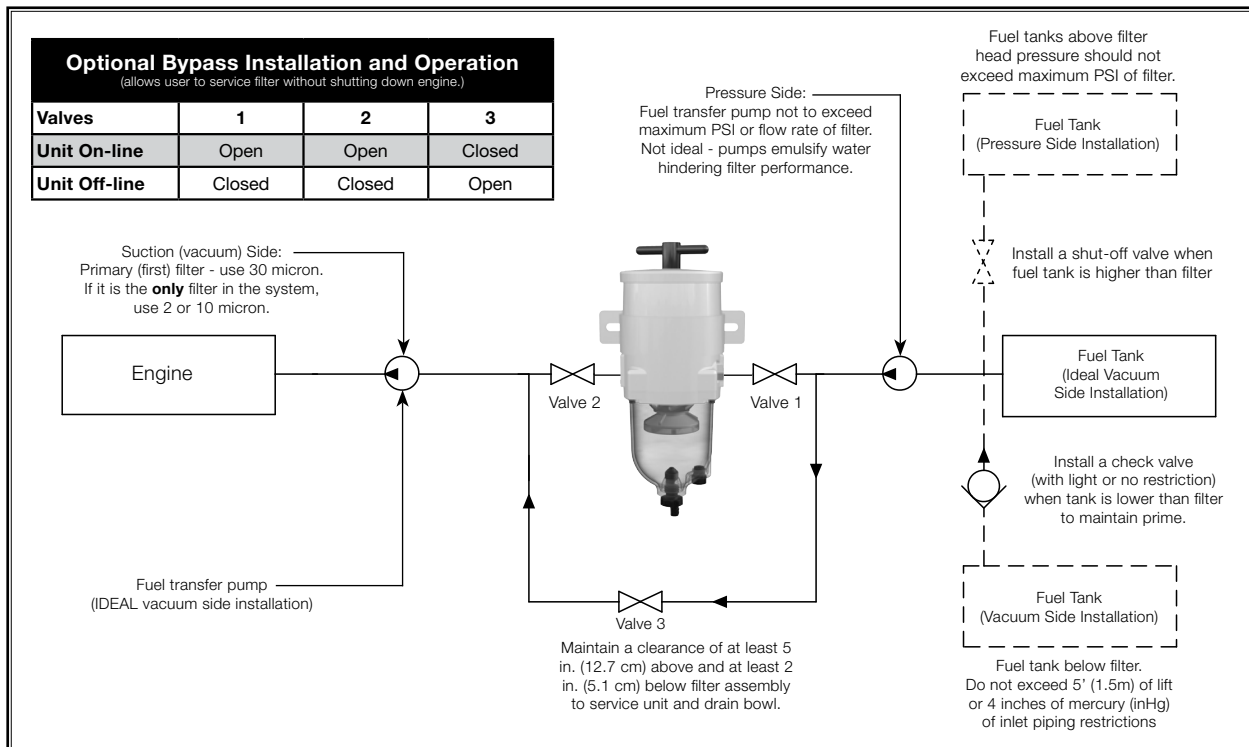


ENGINEERING YOUR SUCCESS.

Mounting Instructions



Installation Diagram



Installation Guidelines

These customer supplied materials should be on hand before beginning installation.

- Shop Towels
- Mounting Hardware
- Inlet/Outlet Fittings
- Fuel Hose
- Clean Diesel Fuel
- Parker Super O-lube or Clean Motor Oil
- Thread Sealant (no thread tapes)

Positioning filter assembly:

Filter assemblies should be installed on vacuum side of fuel transfer pump for optimum water separating efficiency. See Installation Diagram.

Keep fuel line restrictions to a minimum. Locate the 500FG filter assembly between horizontal planes of bottom of fuel tank and inlet of fuel pump, if possible. If 500FG filter assembly is installed in an application where the fuel tank is higher than the filter, a shut-off valve must be installed between the tank and 500FG filter assembly INLET. This will be used when servicing the replacement filter.

Before installing filter assembly:

- Obtain good ventilation and lighting.
- Maintain a safe working environment.
- Engine must be off for installation.
- DO NOT smoke or allow open flames near installation.

Installing filter assembly:

Completely remove any vacuum side filters in fuel line between fuel tank and fuel pump. This is where the Racor filter will mount. Leaving these filters in place will add to fuel line restriction. Filter heads cast into engine or that are non-removable or hard piped should be serviced with a new filter and left in place.

Keep fuel flow restriction to a minimum. Always use the maximum size fuel hose possible. Do not make sharp bends with flexible hose as kinks may occur. Avoid use of two 45° elbow fittings where one 90° elbow will work.

When routing hose, avoid surfaces that move, have sharp edges, or get hot (such as exhaust piping).

Priming The Unit

1. Remove T-handle and lid from top of filter assembly.
2. Fill filter assembly with clean fuel.
3. Lubricate lid gasket and T-handle O-ring with clean fuel or motor oil.
4. Replace lid and T-handle, tighten snugly by hand only – do not use tools.
5. If applicable, refer to equipment operator's manual to complete fuel priming procedure.
6. Start engine, check for fuel system leaks. Correct as necessary with engine off and pressure relieved from filter assembly.

Service

Draining Water:

Frequency of water draining is determined by contamination level of fuel. Inspect or drain collection bowl of water daily or as necessary. Collection bowl must be drained before contaminants reach top of turbine or when Water Detection Module (optional) indicates it's time to drain water.

Vacuum Applications / Installations:

1. Close inlet valve (or valve #1) and open drain on bottom of bowl with a suitable container in place.
2. Close drain after all water and contaminants have been evacuated – DO NOT leave drain open too long as it will eventually completely drain entire filter assembly of water AND fuel.
3. Follow Priming Instructions.

Pressure Applications / Installations:

1. Open drain on bottom of bowl to evacuate water and contaminants with a suitable collection container in place. Head pressure will push any water and contaminants out of drain while keeping filter primed.
2. Close drain after all water and contaminants have been evacuated – DO NOT leave drain open too long as it will eventually completely drain entire filter assembly of water AND fuel, and possibly drain entire tank.

Filter Replacement

Frequency of filter replacement is determined by the contamination level of your fuel. Replace filter every 10,000 miles (16,000 km), every 500 hours, every other oil change, when vacuum gauge (optional) reads between 7 to 10 inches of mercury (inHg), if power loss is noticed, or annually, whichever comes first.

Note – always carry extra replacement filters as one tankful of excessively dirty fuel can plug a filter.

Use only genuine Racor Aquabloc® replacement filters – see Replacement Part List

All Applications:

1. Bypass filter assembly with bypass valves, if applicable.
2. Remove T-handle and lid.
3. Remove filters by holding bail handles and slowly pulling upward with a twisting motion. Dispose properly according to local regulations.
4. Remove and discard old lid gasket and T-handle O-ring and clean seal glands of any dirt or debris. Lubricate new gasket and seal (supplied with new filter) with motor oil or diesel fuel before installation.

5. Refer to Priming Instructions, otherwise, fill unit with clean fuel, replace lid and T-handle and tighten snugly by hand only – do not use tools.

Note - above ground tanks or transfer pump applications may use head pressure to prime filter assembly.

Troubleshooting Procedures

A major cause of power loss or hard starting is result of an air leak (or clogged filter). If your unit will not prime or fails to hold prime, check that

drain, bowl and lid are properly tightened. Next, check all fitting connections and ensure fuel lines are not pinched or clogged with contaminants. If problems

persist (and filter is new) call Racor Technical Support for assistance: (800) 344-3286 ext. 7555 or (209) 575-7555.

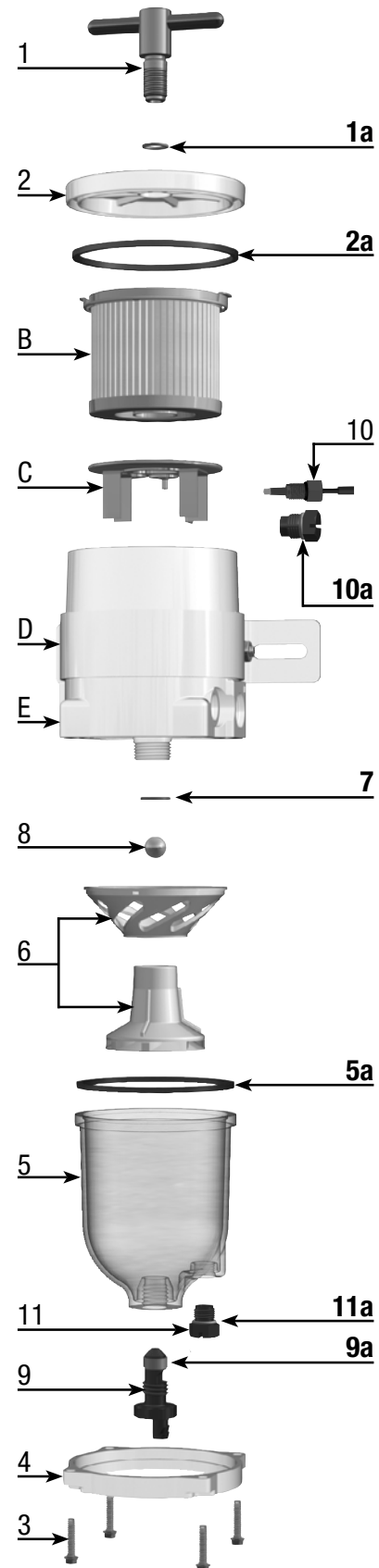
Specifications



500FG	
Maximum Flow Rate:	60 GPH (227 LPH)
Port Size	3/4"-16 UNF (SAE J1926)
Service Clearance <i>Above Assembly</i> <i>Below Assembly</i>	5.0 in. (12.7 cm) 2.0 in. (5.1 cm)
Replacement Filters <i>2 micron</i> <i>10 micron</i> <i>30 micron</i>	2010SM-OR 2010TM-OR 2010PM-OR
Water In Bowl Capacity	3.7 oz. (109 ml)
Height	11.5 in. (29.2 cm)
Width	5.8 in. (14.7 cm)
Depth	4.8 in. (12.2 cm)
Weight (dry)	4.0 lb (1.8 kg)
Max. Working Pressure	25 PSI (1.7 bar)
Clean Pressure Drop	0.25 PSI (1.7 kPa)
Water Removal Efficiency	99%
Ambient Temperature Range (when fuel temp is)	-40° to +255°F (-40° to +121°C) 80° to 190°F (27° to 88°C)

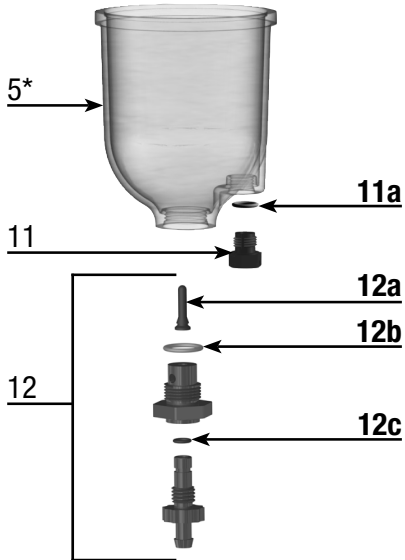
Parts and kits listed can be purchased from a Racor distributor.
Go to racordealer.com to purchase parts online.

Part Number	Description
1	RK 11888 T-handle and O-ring Kit (9/16" -18 UNF Threads) Hand Tighten
1a	RK11350 T-handle O-ring
2	RK 15078 Lid Kit
2a	15005 Lid Seal
B	2010SM-OR (2 micron), 2010TM-OR (10 micron), or 2010PM-OR (30 micron) Replacement Filter (All Models)
C	RK 15383-01 Heater Kit (12 vdc, 100 watt)
	RK 15383-02 Heater Kit (24 vdc, 100 watt)
3	RK 15081 Bowl Fasteners (4) Tighten to 60 in. lbs (6.78 Nm)
4	RK 15035 Bowl Ring Kit
5	RK15405 (>2002) RK 15279-01 (<2002) Clear Bowl Kit (includes 5, 5a, 9, 9a, 11, & 11a) Clear Bowl Kit (includes 5*, 5a, 11, & 11a)
5a	RK15374 Bowl Seal
6	RK 15013D Turbine Centrifuge and Conical Baffle Kit Hand Tighten
7	(not sold separately) Check Ball Seal
8	RK 15010B Check Ball Kit (includes 7)
9	RK 30476 (>2002) Self-venting Drain Kit Tighten to 30 in. lbs (3.39 Nm)
9a	(not sold separately) Drain Gasket
10	RK 21067 Heater Feedthru Kit Tighten to 15 in. lbs (1.69 Nm)
	RK 11-1679 Feed-thru Plug Kit Tighten to 15 in. lbs (1.69 Nm)
10a	43506 Feedthru or plug O-ring
11	RK 21069 Water Probe Kit Tighten to 15 in. lbs (1.69 Nm)
	RK 20126 Bowl Plug Kit Tighten to 15 in. lbs (1.69 Nm)
11a	(not sold separately) Water Probe or Plug O-ring
12	RK 11780 (<1993) Drain Assembly Kit
12a	(not sold separately) Drain Seal (Finger)
12b	(not sold separately) Drain Body O-ring
12c	(not sold separately) Drain O-ring
13	RK 30488 (1994-2002) Drain Assembly
9a	(not sold separately) Drain Gasket
12b	(not sold separately) Drain Body O-ring
D	RK 15378 Clamp Bracket Kit
	RK 11838 Carriage Bolt Kit
E	(not sold separately) 500 Body/Housing

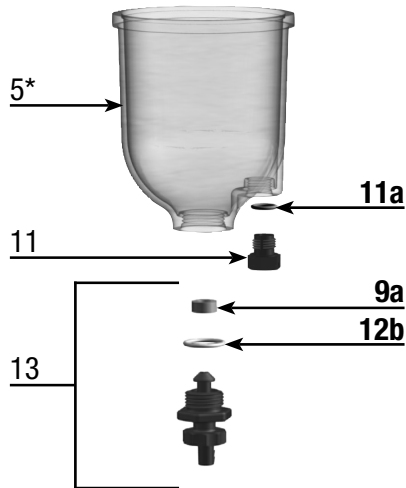


Drain Configurations

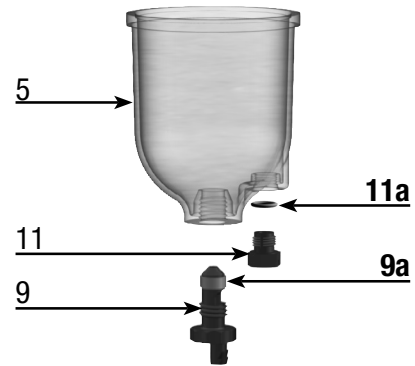
RK 11780 Drain Kit
(1993 & Older)



RK 30488 Drain Kit
(1994-2002)



RK 30476 Drain Kit
(2002-Current)



T-handle Vacuum Gauge

The T-handle vacuum gauge monitors your filter's condition. As your filter slowly becomes clogged with contaminants, restriction (resistance to flow) increases. Because of this restriction, more air is mixed with fuel and less fuel is delivered to the engine (fuel degassing). This will result in loss of power and eventually stall the engine.

Installing a T-handle vacuum gauge in your fuel system gives you a visual monitor of your filter condition. Excessive resistance on the gauge means it's time to change the filter.



Specifications

RK 11-1969

Application	For 500 Filter Assemblies
Thread Size	1/4" NPT bottom boss mount
Fitting Thread	9/16"-18 UNF
Dimensions	2.0" Diameter x 1.1" Depth
Weight (dry)	0.3 lb (0.1 kg)
Ambient Temperature Range	-40° to +250°F (-40° to +121°C)

Special Notes: For severe vibration applications, mount gauge on a stable, remote location and connect to the source using flexible tubing. After September 1999, Racor converted many liquid-filled gauges to new silicone dampened movement. This new (dry) technology provides a vibration resistant design that never leaks fluid or requires adjustments due to temperature or altitude variations.

Limited Warranties Statement

All products manufactured or distributed by Racor are subject to the following, and only the following, LIMITED EXPRESS WARRANTIES, and no others: For a period of one (1) year from and after the date of purchase of a new Racor product, Racor warrants and guarantees only to the original purchaser-user that such a product shall be free from defects of materials and workmanship in the manufacturing process. The warranty period for pumps and motors is specifically limited to ninety (90) days from date of purchase. A product claimed to be defective must be returned to the place of purchase. Racor, at its sole option, shall replace the defective product with a comparable new product or repair the defective product. This express warranty shall be inapplicable to any product not properly installed and properly used by the purchaser-user or to any product damaged or impaired by external forces.

THIS IS THE EXTENT OF WARRANTIES AVAILABLE ON THIS PRODUCT. RACOR SHALL HAVE NO LIABILITY WHATSOEVER

FOR CONSEQUENTIAL DAMAGES FLOWING FROM THE USE OF ANY DEFECTIVE PRODUCT OR BY REASON OF THE FAILURE OF ANY PRODUCT. RACOR SPECIFICALLY DISAVOWS ALL OTHER WARRANTIES, EXPRESS OR IMPLIED INCLUDING, WITHOUT LIMITATION, ALL WARRANTIES OF FITNESS FOR A PARTICULAR PURPOSE (EXCEPT FOR THOSE WHICH APPLY TO PRODUCT OR PART THEREOF THAT IS USED OR BOUGHT FOR USE PRIMARILY FOR PERSONAL, FAMILY, OR HOUSEHOLD PURPOSES), WARRANTIES OF DESCRIPTION, WARRANTIES OF MERCHANTABILITY, TRADE USAGE OR WARRANTIES OR TRADE USAGE.

Warning

Failure or improper selection or improper use of the products and/or systems described herein or related items can cause death, personal injury and property damage. This document and other information from Parker Hannifin Corporation, its subsidiaries and authorized

distributors provide product and/or system options for further investigation by users having technical expertise. It is important that you analyze all aspects of your application and review the information concerning the product or system in the current product catalog. Due to the variety of operating conditions and applications for these products or systems, the user, through its own analysis and testing, is solely responsible for making the final selection of the products and systems and assuring that all performance, safety and warning requirements of the applications are met. The products described herein, including with limitation, product features, specifications, designs, availability and pricing, are subject to change by Parker Hannifin Corporation and its subsidiaries at any time without notice.

The following statement is required pursuant to proposition 65, applicable in the State of California: 'This product may contain a chemical known to the State of California to cause cancer or reproductive toxicity'.