



Copyright 1996, Teleflex Incorporated (USA)

Manufactured by
Teleflex, Inc. USA
640 North Lewis Road
Limerick, PA 19468 (USA)
(610) 495-7011

SB 39544
BEZEL KIT
THE BACK MOUNT RACK SYSTEM
(NO FEEDBACK HELMS ONLY)

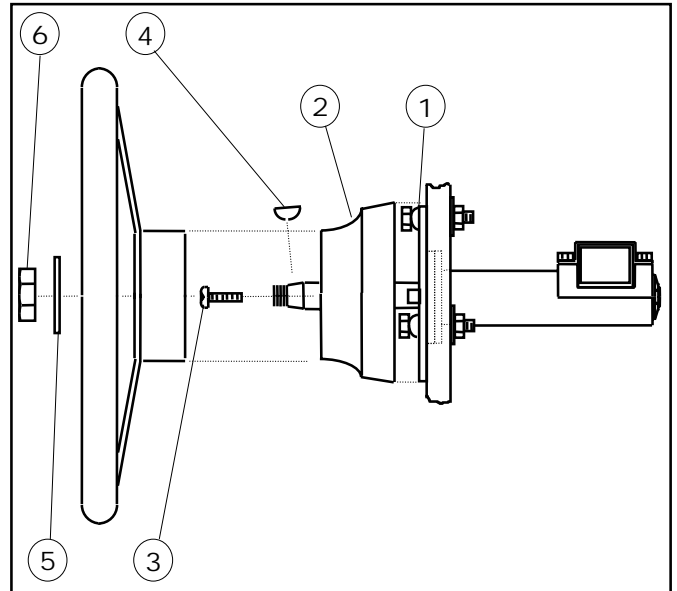
INSTRUCTIONS

INSTALLER: THESE INSTRUCTIONS CONTAIN IMPORTANT SAFETY INFORMATION AND MUST BE FORWARDED TO BOAT OWNER.

The following instructions describe how to install a bezel kit on The Back Mount Rack System helm. This kit is designed to work with SH5230 Series helms only. Also included are instructions for installing a steering wheel.

1. Fully install the helm mounting plate (item 1) and helm in accordance with instructions packed with the helm.
2. Slide the bezel (item 2) over the shaft and retain in place with two screws (item 3).
3. Insert key (item 4) in slot on shaft, and push steering wheel firmly onto shaft.
4. Retain steering wheel in place with washer (item 5) and lock nut (item 6).

CAUTION: Steering wheel should fit snugly on key. Do not hammer into position, helm can be damaged.



PARTS LIST		
Item	Part	Qty.
1*	Mounting Plate	1
2	Bezel	1
3	Screw, #8-32 x 1" Lg. Self Tap	2
4	Woodruff Key	1
5	Washer, 1/2" ID	1
6	Lock Nut, 1/2-20	1
7*	Bolt, 1/4-20 x 2 1/8" Lg.	3
8*	Lock Nut, 1/4-20	3
9*	Washer, 1" OD	3
10*	Bolt, 1/4-20 x 3/4" Lg. Lock Patch	3
11*	Washer, 1/2" ID	3

*These items installed in accordance with instructions packed with the helm (ref. ISSH5230/35).

KEEP THESE INSTRUCTIONS WITH YOUR BOAT FOR FUTURE REFERENCE.