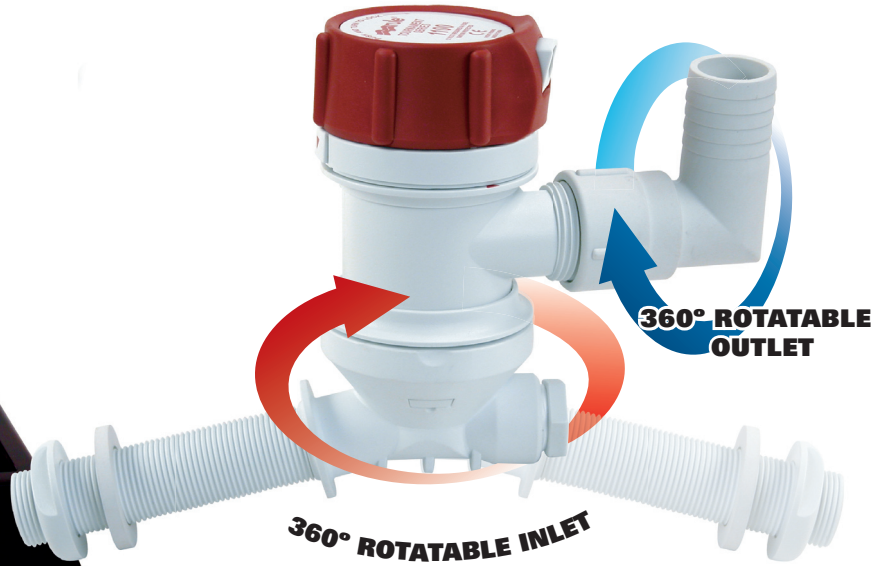




# New Livewell/Baitwell Cartridge Pumps



Angled Transom Mount

## Rule's NEW Tournament Series Livewell/Baitwell pumps have received the 2006 NMMA INNOVATION AWARD

- ✓ Quick, one hand "push button" motor cartridge removal system
- ✓ Easy grip rubber overmold
- ✓ 360° rotatable base allows you to position the inlet at any angle
- ✓ 360° rotatable glass filled nylon hose barbs
- ✓ Dual port option allows for connection of washdown pump
- ✓ Long lasting and powerful RULE motors



Seacock Mount



Straight Transom Mount

These new pumps are built on Rule's unsurpassed quality and leadership in pump design and technology. The innovative design includes many new and exciting features including a quick, one hand "push button" motor cartridge removal system, patent-pending rotatable base that allows you to position the discharge nozzle at any location, and threaded nylon hose barb

attachments, which allow for various hose mounting options. Other features include a built-in dual port option, water-cooled housing, and positive snap motor cartridge locking mechanism. Pumps are available in 500 GPH, 800 GPH and 1100 GPH and are fitted for transom or seacock mounting options.

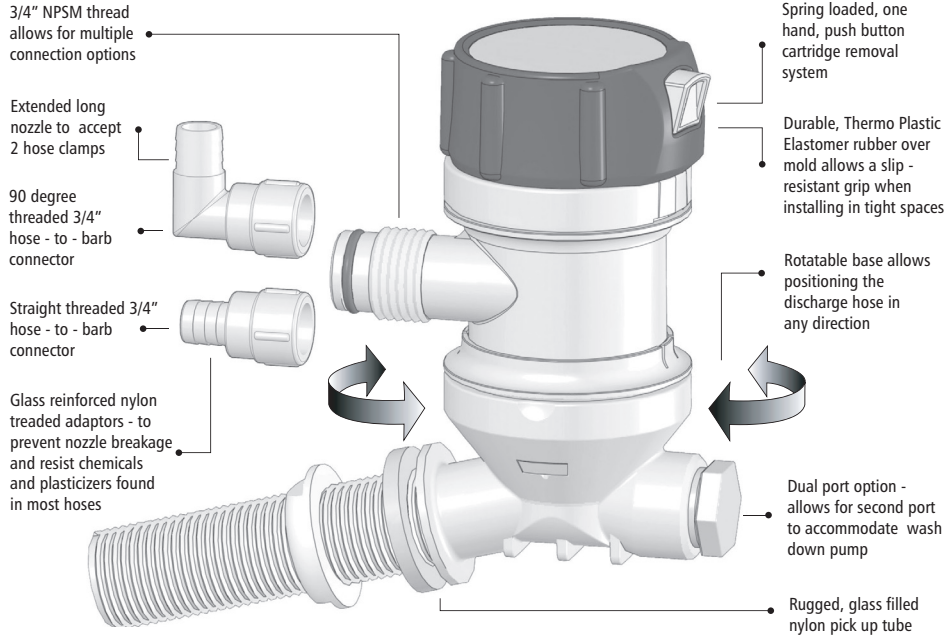


NEW! Livewell/Baitwell Cartridge Pumps



# New Livewell/Baitwell Cartridge Pumps

The Next Generation in Livewell/Baitwell Pump design

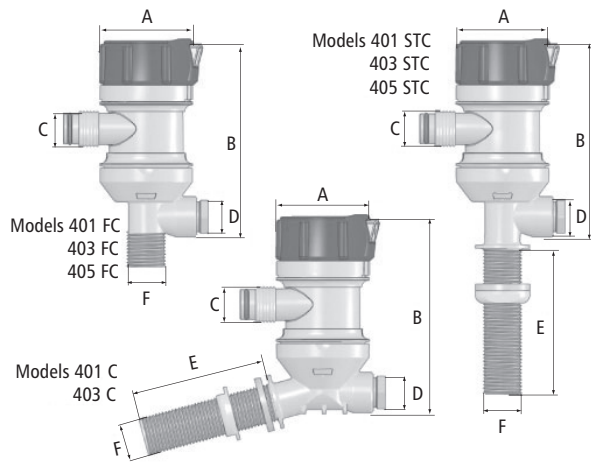


Available Replacement Motor Cartridge		
45DR	500 GPH	Replacement Motor Cartridge
46DR	800 GPH	Replacement Motor Cartridge
47DR	1100 GPH	Replacement Motor Cartridge

Model	Capacity GPH (LPH)	A in (mm)	B in (mm)	C in	D in	E in (mm)	F in
401C	500 (1893)	2.76 (70.1)	5.87 (149.1)	3/4 - 14NPSM	1/2 - 14NPT	4.0 (101.6)	3/4 - 14NPSM
403C	700 (2650)	2.76 (70.1)	5.87 (149.1)	3/4 - 14NPSM	1/2 - 14NPT	4.0 (101.6)	3/4 - 14NPSM
405C	1000 (3785)	2.76 (70.1)	5.87 (149.1)	1-11.5NPSM	1/2 - 14NPT	4.0 (101.6)	3/4 - 14NPSM
401STC	500 (1893)	2.76 (70.1)	5.84 (148.3)	3/4 - 14NPSM	1/2 - 14NPT	4.33 (109.9)	3/4 - 14NPSM
403STC	700 (2650)	2.76 (70.1)	5.84 (148.3)	3/4 - 14NPSM	1/2 - 14NPT	4.33 (109.9)	3/4 - 14NPSM
405STC	1100 (4164)	2.76 (70.1)	5.84 (148.3)	1-11.5NPSM	1/2 - 14NPT	4.33 (109.9)	3/4 - 14NPSM
401FC	500 (1893)	2.76 (70.1)	5.87 (149.1)	3/4 - 14NPSM	1/2 - 14NPT		3/4 - 14NPT
403FC	700 (2650)	2.76 (70.1)	5.87 (149.1)	3/4 - 14NPSM	1/2 - 14NPT		3/4 - 14NPT
405FC	1100 (4164)	2.76 (70.1)	5.87 (149.1)	1-11.5NPSM	1/2 - 14NPT		3/4 - 14NPT

Model # Aftermarket	Model # OEM	Cartridge Livewell Baitwell Pump	Outlet	Port Sizes	Dualport	Amps 12v, 13.6v	Fuse size Amps
401C	401CM	500 GPH Livewell Pump-Angled Thru-Hull Fitting	3/4" (19mm)	3/4" (19mm)	1/2" NPT	2.1 / 2.5	2.5
403C	403CM	700 GPH Livewell Pump-Angled Thru-Hull Fitting	3/4" (19mm)	3/4" (19mm)	1/2" NPT	2.8 / 4.0	5
401STC	401STCM	500 GPH Livewell Pump-Straight Thru-Hull Fitting	3/4" (19mm)	3/4" (19mm)	1/2" NPT	2.1 / 2.5	2.5
403STC	403STCM	700 GPH Livewell Pump-Straight Thru-Hull Fitting	3/4" (19mm)	3/4" (19mm)	1/2" NPT	2.8 / 4.0	5
405STC	405STCM	1100 GPH Livewell Pump-Straight Thru-Hull Fitting	1 1/8" (29mm)	1 1/8" (29mm)	1/2" NPT	3.3 / 5.0	6
* 401FC	401FCM	500 GPH Livewell Pump-Seacock Fitting	3/4" (19mm)	3/4" (19mm)	1/2" NPT	2.1 / 2.5	2.5
* 403FC	403FCM	700 GPH Livewell Pump-Seacock Fitting	3/4" (19mm)	3/4" (19mm)	1/2" NPT	2.8 / 4.0	5
* 405FC	405FCM	1100 GPH Livewell Pump-Seacock Fitting	1 1/8" (29mm)	1 1/8" (29mm)	1/2" NPT	3.3 / 5.0	6

\* For seacock application - Straight 1" (25mm) pickup tube with tapered threads



Engineered for life

**USA**  
Jabsco  
Cape Ann Industrial Park  
Gloucester, MA 01930  
Tel: (978) 281-0440  
Fax: (978) 283-2619

**UK**  
Jabsco  
Bingley Road, Hoddesdon  
Hertfordshire EN11 0BU  
Tel: +44 (0) 1992 450145  
Fax: +44 (0) 1992 467132

**CANADA**  
Fluid Products Canada  
55 Royal Road  
Guelph, Ontario N1H 1T1  
Tel: (519) 821-1900  
Fax: (519) 821-2569

**GERMANY**  
Jabsco GmbH  
Oststrasse 28  
22844 Norderstedt  
Tel: +49-40-53 53 73-0  
Fax: +49-40-53 53 73-11

**JAPAN**  
NHK Jabsco Company Ltd.  
3-21-10, Shin-Yokohama  
Kohoku-Ku, Yokohama, 222-0033  
Tel: +81-045-475-8906  
Fax: +81-045-477-1162

**ITALY**  
Jabsco Marine Italia  
Via Tommaso, 6  
20059 Vimercate, Milano  
Tel: +39 039 685 2323  
Fax: +39 039 666 307

www.rule-industries.com

Warranty: All products of the company are sold and all services of the company are offered subject to the company's warranty and terms and conditions of sale, copies of which will be furnished upon request. The information provided herein is for guidance only, it does not constitute a guarantee of the performance or specification of any individual product or component.